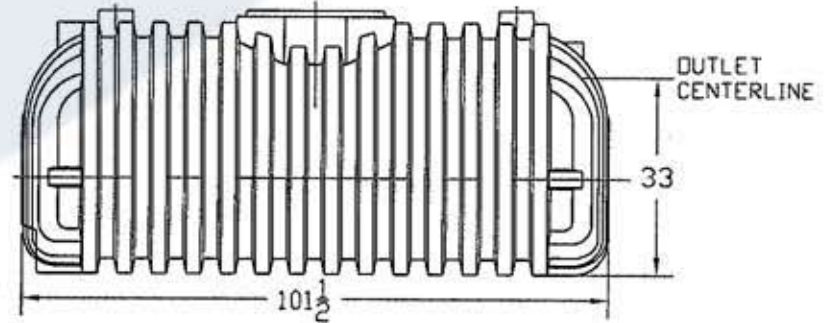
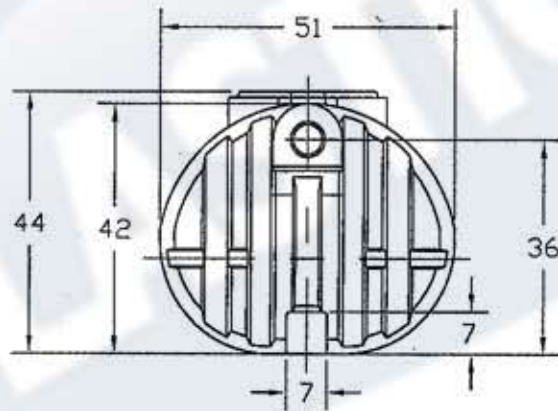
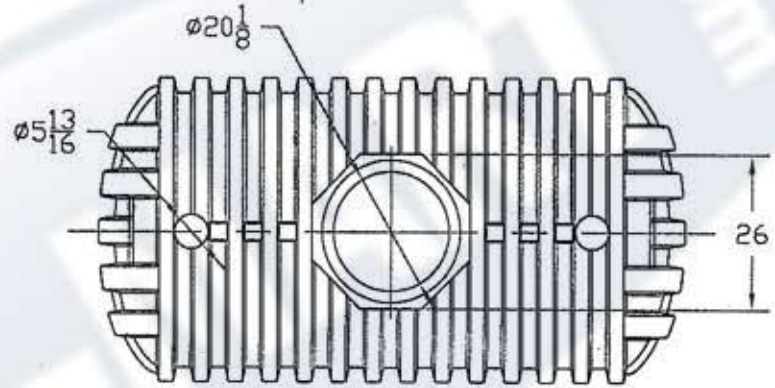


INTLET/OUTLET DETAIL
1/4 SCALE

REVISIONS				
ZONE	REV	DESCRIPTION	DATE	APPROVED



PLASTIC-MART 866-310-2556
600 GALLON CISTERN

JTP	21JAN03	SIZE B	FSCM NO.	DWG NO.	REV
-----	---------	-----------	----------	---------	-----